

# TEMPERATURE 4-20 mA TRANSMITTER for ambient

# TTA-370

 **Desin**  
Instruments

## DESCRIPTION

The **TTA-370** transmitters are designed to measure Temperature in ambient pressure and temperature. They are provided with dual 4/20mA, 2-wire transmission outputs.

### MAIN FEATURES:

- AMBIENT TEMPERATURE TRANSMITTER
- THERMOPLASTIC HOUSING
- Pt-100 TEMPERATURE SENSOR (IEC-751)
- 4/20mA OUTPUT FOR TEMPERATURE.  
2-WIRE TRANSMISSION
- OPERATING RANGE:  
32/122 °F (0/50 °C)
- STANDARD RESPONSE TIME: 10 s
- ACCURACY  $\pm 0,3$  % °C
- POWER SUPPLY 12 to 40 Vdc
- ELECTRONIC CIRCUITRY BUILDUP WITH  
SMD-TECHNOLOGY



## FEATURES

The **THR-370** is provided with an independent measuring circuit for Temperature based on Pt-100 sensor, and 4/20mA output.

The electronics are protected in a thermoplastic housing, to be installed even in tasteful and industrial ambiances.

To complete the measuring loop, we manufacture a large range of digital instruments, compatible with the **THR-370** transmitter, for the monitoring and control of RH and temperature variables.

All the units are provided with 4/20mA inputs and transmitter power supply.

- Configurable PID controllers  
**BS-1000, LS-3000 and HS-7000 Series**
- Configurable measuring Indicators  
**BS-1000, LS-3000 and HS-7000 Series**
- Loop-powered field Indicators  
**PM-3650, PM-6670 and PM-2659**
- Potentiometric or Configurable Chart Recorders  
**M-6000/4000 Series**
- 24 Vdc 1 A or 2 A instruments power supply units  
**FAC-24/1000/S and FAC-24/1000/D Series**
- Data acquisition and control systems  
**DAS-8000 and HS-7000**

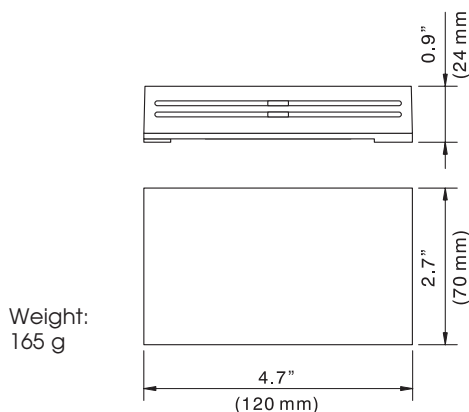


# 131.35

## SPECIFICATIONS

- Sensor type: ..... Pt 100
- Output signal: ..... 4/20 mA (0/50 °C)
- Operating Temperature range: 14/122 °F (-10/50 °C)
- Temperature accuracy: ..... ±0.3 %
- Repeatability: ..... 0.2 % (cycle 11 % to 86 %)
- Adjustments: ..... Zero and Span
- Adjusting Margin: ..... ±5% Minimum
- Power supply: ..... 12 to 40Vdc
- Maximum load (K $\Omega$ ): .....  $\frac{V_{cc} - 12}{20 \text{ mA}}$
- Housing: ..... ABS
- Connection output ..... Hole

## DIMENSIONS



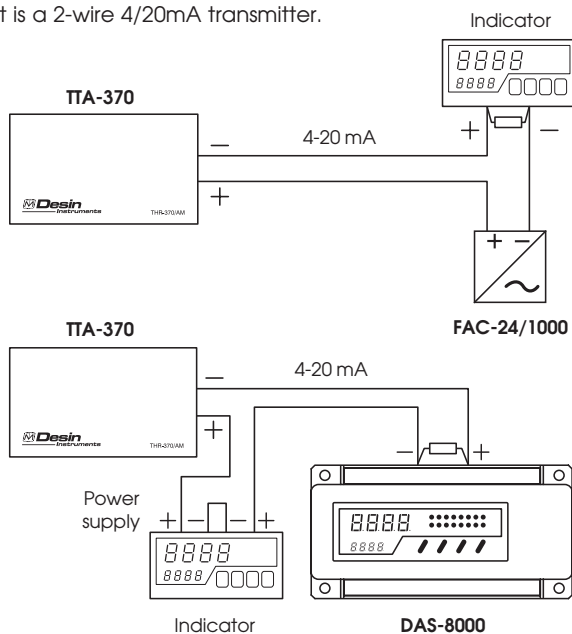
## HOW TO ORDER

- Model: **TTA-370**
- Please specify kind of process
- Please specify °C margins

## WIRING DIAGRAM

### IMPORTANT:

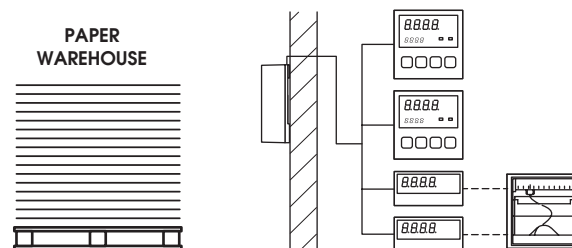
It is a 2-wire 4/20mA transmitter.



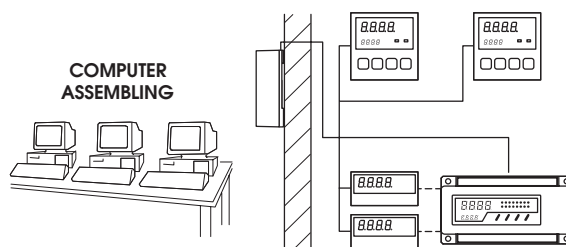
**NOTE:** The best part of our products are provided with isolated 24 Vdc, 30 mA power supply for transmitters

## APPLICATIONS

The **TTA-370** transmitter is designed for HVAC applications, building automation, swimming halls, laboratories, stores, hospitals, chambers, Green houses, etc.



Typical application using **TTA-370** for the control and recording of Temperature in warehouses.



Typical application using **TTA-370** for the control and recording of Temperature in clean rooms.