

PRESSURE TRANSMITTER

For sanitary applications

TPM-30

Desin
Instruments

DESCRIPTION

- PRESSURE RANGE BETWEEN 0 ... 100 MBAR AND 0 ... 400 BAR
- CUSTOMER-DESIGNED PRESSURE RANGES E.G. -250 mbar ... +150 mbar
- OUTPUT SIGNALS 4 ... 20 mA / 2W , 0 ... 20 mA / 3W
0 ... 10 V / 3W AND OTHER VOLTAGE OUTPUTS ON REQUEST
- OPTIONAL: COOLING ELEMENT FOR MEDIA TEMPERATURE UP TO 150 °C OR UP TO 300°C
- OPTIONAL: STAINLESS STEEL FIELD HOUSING
- FIXED CABLE OUTLET
- EXCELLENT LINEARITY
- SMALL THERMAL EFFECT
- EXCELLENT LONG TERM STABILITY
- HIGH RESISTANCE AGAINST ELECTRICAL FAULTS (CAUSED BY INCORRECT WIRING, SHORT- CIRCUIT AND OVERVOLTAGE)
- RUGGED AND RELIABLE UNDER MOST CONDITIONS
- LONG OPERATING LIFE
- WIDE RANGE OF ELECTRICAL CONNECTIONS
- OPTIONAL: EX: II 1 G EEX IA IIC T4 (TÜV 99 ATEX 1504 X)
- CUSTOMER-DESIGNED APPLICATIONS



CE

FEATURES

The **TPM-30** is a pressure transmitter designed for process measurement. It has a flush diaphragm and can be ordered either with a screw thread basing on an inchsystem or with several process connections such as Clamp and dairy pipe. The **TPM-30** proportionally converts pressure into an electric signal. It is suitable for gases, fluids and higher viscous media.

Static and dynamic pressure measurement with pressure ranges rom 100 mbar up to 400 bar acc. to DIN 16128, as well as special pressure ranges are available.

The transmitter can be used for all media, which are compatible with 1.4571 (AISI 316) and 1.4404 (AISI 316L). In connection with an inch thread the sealing material is FKM, for pressure higher than 100 bar NBR; other materials on request.

For usage with higher media temperatures a cooling element is available. Filling fluids others than silicon oil or fillings suitable for foodstuff industry are available on request.

A variety of standard output signals and electrical connections make the TPM-30 covering a wide field of applications.

As complement, we manufacture a wide range of measuring and control instruments to use with the **TPM-30** transmitters. This instruments are configurable 4-20 mA input capability.

- Configurable PID controllers
BS-1000, LS-3000 and HS-7000 Series
- Configurable measuring Indicators
BS-1000, LS-3000 and HS-7000 Series
- Loop-powered field Indicators
PM-3650, PM-6670 and PM-2659 Series
- Potentiometric or Configurable Chart Recorders
M-6000/4000 Series
- 24 Vdc 1 A or 2 A instruments power supply units
FAC-24/1000/S and FAC-24/1000/D Series
- Data acquisition and control systems
DAS-8000 and HS-7000

TUV
PRODUCT SERVICE
EMPRESA
CERTIFICADA
CERTIFIED
COMPANY
ISO 9001

127.61

SPECIFICATIONS

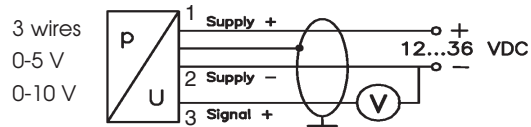
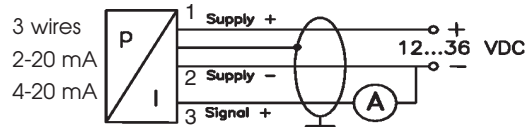
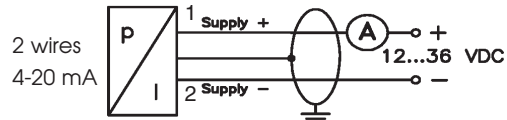
- Pressure (bar):

Relative:	-1.0	0.01	0.025	0.04	0.06	0.1	0.16	0.25	0.4	0.6	0.10	0.16	0.25
Absolute:	-	-	-	-	-	0.1	0.16	0.25	0.4	0.6	0.10	0.16	0.25
Overpressure:	3	1	1	1	3	3	6	6	12	12	25	50	50

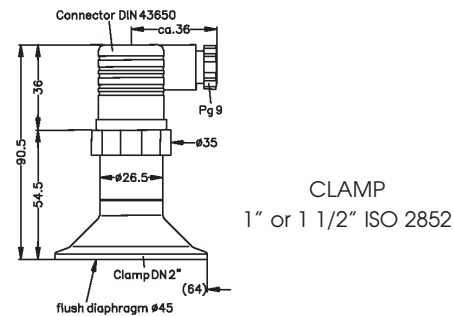
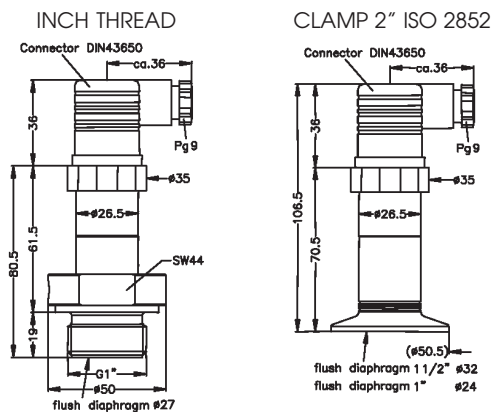
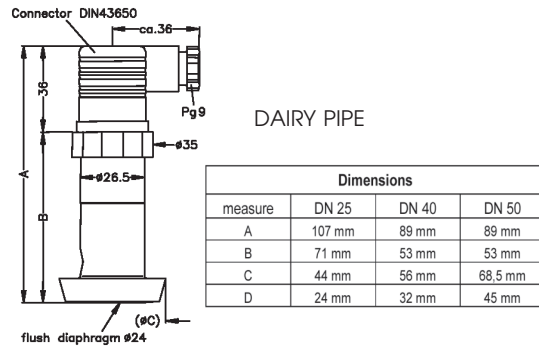
Range:	0...40	0...60	0...100	0...160	0...250	0...400
Overpressure:	120	120	250	500	500	600

- Accuracy: $\leq \pm 0,35\%$ FSO
- Process connection: 1" GAS DIN 3852
..... Clamp ISO 2852 DN 1" , DN 1 1/2" or DN 2"
- Output signal: 4-20 mA 2 wires
..... 0/4-20 mA / 0-5/10 V 3 wires (option)
- Electrical connection: connector DIN 43650
- Voltage: between 12 and 36 Vcc
- Permissible Load:
2 wires (UB (V) - 12 V) / 0,02 A
3 wires $\leq 500\Omega$ / $> 1\text{ M}\Omega$
- Operating Temperature range:
Sensor: -25 to +125 °C
Ambient: -25 to +85 °C
Storage: -40 to +125 °C
- Materials:
Housing Stainless Steel 1.4301
Diaphragm Stainless Steel 1.4571
Seals FKM / $P_N \geq 100$ bar; NBR

WIRING DIAGRAM



DIMENSIONS



APPLICATIONS

- Process- and unit operations
- Chemical Industry
- Foodstuff Industry
- Paper Industry

HOW TO ORDER

MODELS:

TPM-30/LP	Range 0,1 to 1 bar
TPM-30/HP	Range 1,6 to 400 bar
TPM-30/D	Range -1 to 0 bar

Options:

- Special ranges
- Absolute pressure
- 0/10 V and 0-20 mA 3 wires output