

# DIFFERENTIAL PRESSURE TRANSMITTER

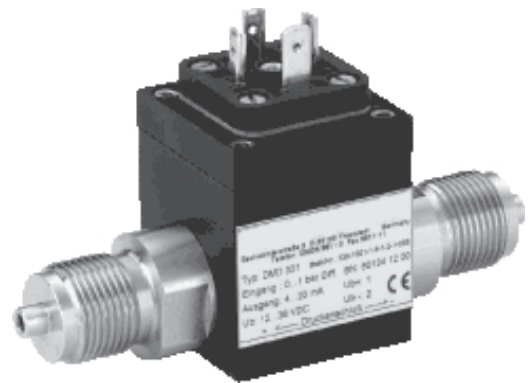
*For liquids and gases*

# TPD-18

**Desin**  
Instruments

## DESCRIPTION

- DIFFERENTIAL PRESSURE WET /WET
- OUTPUT SIGNAL 4...20 mA / 2 WIRE
- PERMISSIBLE OVERPRESSURE: 4 X NOMINAL PRESSURE ON EACH SIDE
- ACCURACY ACC. TO IEC 60770 0,5% FSO (BFSL: 0,25% FSO)
- COMPACT DESIGN
- HIGH RESISTANCE AGAINST ELECTRICAL FAULTS INCORRECT WIRING, SHORT-CIRCUIT OVERVOLTAGE
- RUGGED AND RELIABLE UNDER MOST CONDITIONS



CE

## FEATURES

The **TPD-18** is differential pressure transmitter for universal industrial usage. Pressure can be applied on both sides with fluids and gases, which are compatible with stainless steel, 1.4571 or 1.4404 and FKM.

With pressurization, the **TPD-18** creates the difference of pressure between the positive and negative side, which then is converted into a signal that is proportional to the differential pressure.

As complement, we manufacture a wide range of measuring and control instruments to use with the **TPD-18** transmitters. This instruments are configurable 4-20 mA input capability.

- Configurable PID controllers  
**BS-1000, LS-3000 and HS-7000 Series**
- Configurable measuring Indicators  
**BS-1000, LS-3000 and HS-7000 Series**
- Loop-powered field Indicators  
**PM-3650, PM-6670 and PM-2659 Series**
- Potentiometric or Configurable Chart Recorders  
**M-6000/4000 Series**
- 24 Vdc 1 A or 2 A instruments power supply units  
**FAC-24/1000/S and FAC-24/1000/D Series**
- Data acquisition and control systems  
**DAS-8000 and HS-7000**

TUV  
PRODUCT SERVICE  
EMPERIA  
CERTIFIED  
COMPANY  
ISO 9001

127.59

## SPECIFICATIONS

### TPD-18

- Pressure (bar):

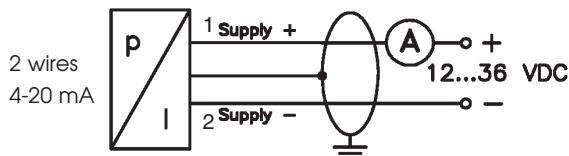
Nominal:	0,4	1,0	2,5	6,0	16
Differential:	0..0,04 up to	0..0,1 up to	0..0,25 up to	0..0,6 up to	0..1,6 up to
	0..0,4	0..1,0	0..2,5	0..6,0	0..16

One-sided static pressure: 1 3 6 16 40

- Accuracy: .....  $\leq \pm 0,5\%$  FSO
- Process connection: ..... 1/2" GAS DIN EN 837-1 / -3
- Output signal: ..... 4-20 mA 2 wires
- Electrical connection: .... Male and female plug DIN 43650
- Voltage: ..... between 12 and 36 Vcc
- Permissible Load: ..... Current 2 wires ( $U_b$  (V)-12) / 0,02A
- Operating Temperature range .....
  - Sensor: ..... -25 to + 125 °C
  - Ambient: ..... -25 to + 85 °C
  - Storage: ..... -40 to +125 °C
- Materials:
  - Housing ..... Aluminum black anodized
  - Diaphragm ..... Stainless Steel 1.4404
  - Seals ..... FKM

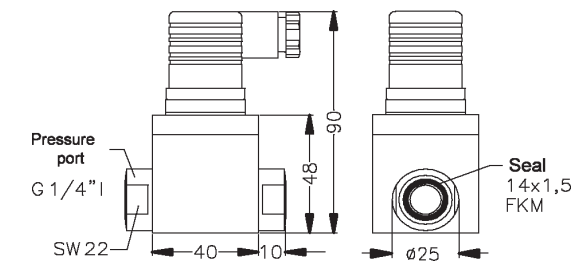
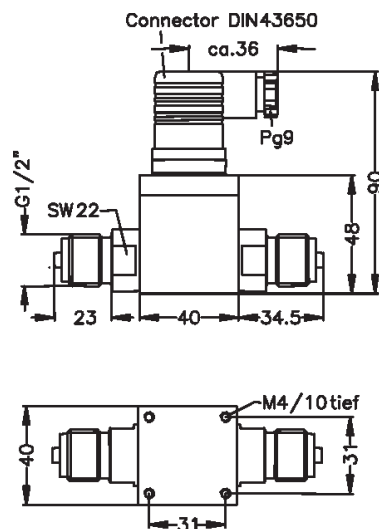
## WIRING DIAGRAM

2-wire-system:	Supply +	DIN 43650
	Supply - Ground	1 2 Ground pin



0329\_H127.59-0

## DIMENSIONS



Weight: appr. 0,250 kg

## APPLICATIONS

- Flow Control
- Filter Controlling

## HOW TO ORDER

**TPD-18** Differential pressure.  
0 - 0,4 to 0 - 16 bar ranges.

- Special ranges
- 0/10 V and 0-20 mA 3 wires output